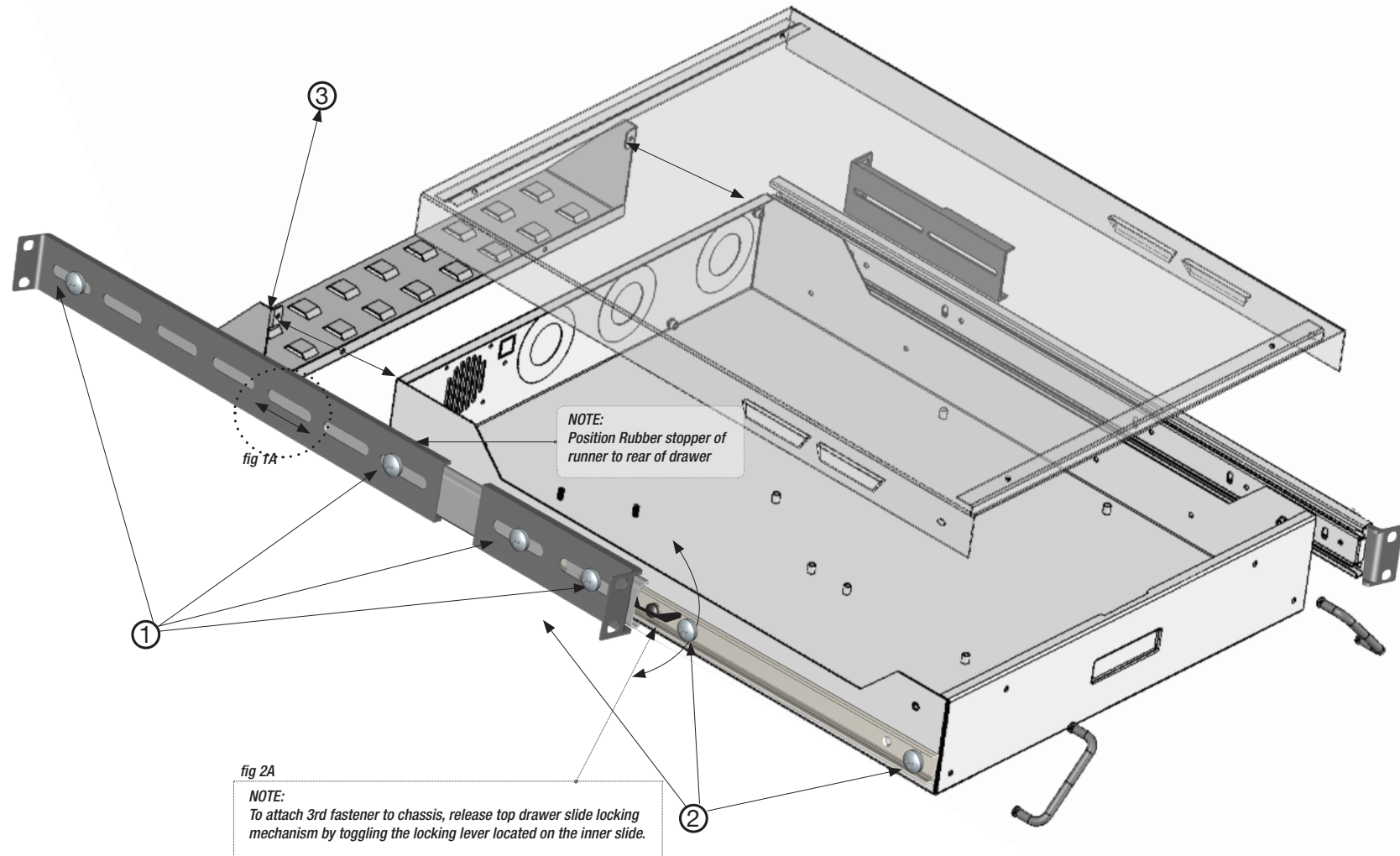


2RU RACK DRAWER SLIDER ASSEMBLY GUIDE



INSTRUCTIONS

- ① Attach Left and Right, Front (short) & Rear (long) Rack-Ears to runner as shown. (Adjust Rear runner position as required see fig. 1A)
- ② Attach the Runner Assemblies to Drawer Chassis.
(To access 3rd position screw, unlatch locking lever to release slide. Slide back to re-engage lock see notes fig. 2A)
- ③ Attach Rear Tray using 4 x supplied M4 screws.